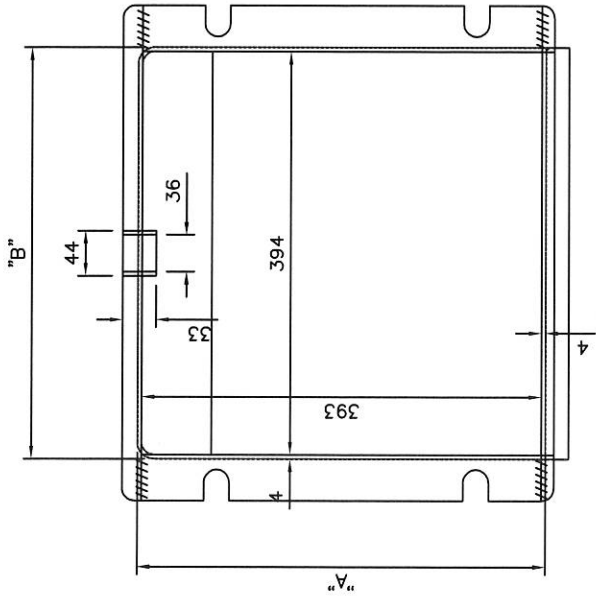
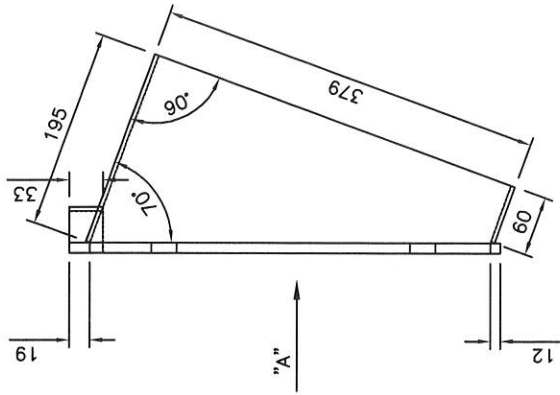
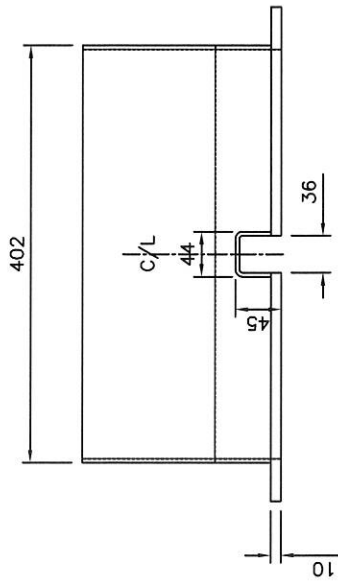


FLANGE DETAIL 9.5mm ALLOY

FABRICATED FLANGE



VIEW ARROW "A"



HATCH SIZE	DIM "A"	DIM "B"	SOCK CIRCUMFERENCE
400 SQ	401	402	1562

MANUFACTURE FROM 4mm ALLOY

P.P.G. LTD

DUST BOX DETAIL TO SUIT FRUEHAUF GRAIN HATCH SIZES

JOB No.	P.P.G. 680
DRN No.	A3
ISS	SD8008-1

DRN	B.BROWN
DATE	24/9/10
SCALE	1:5